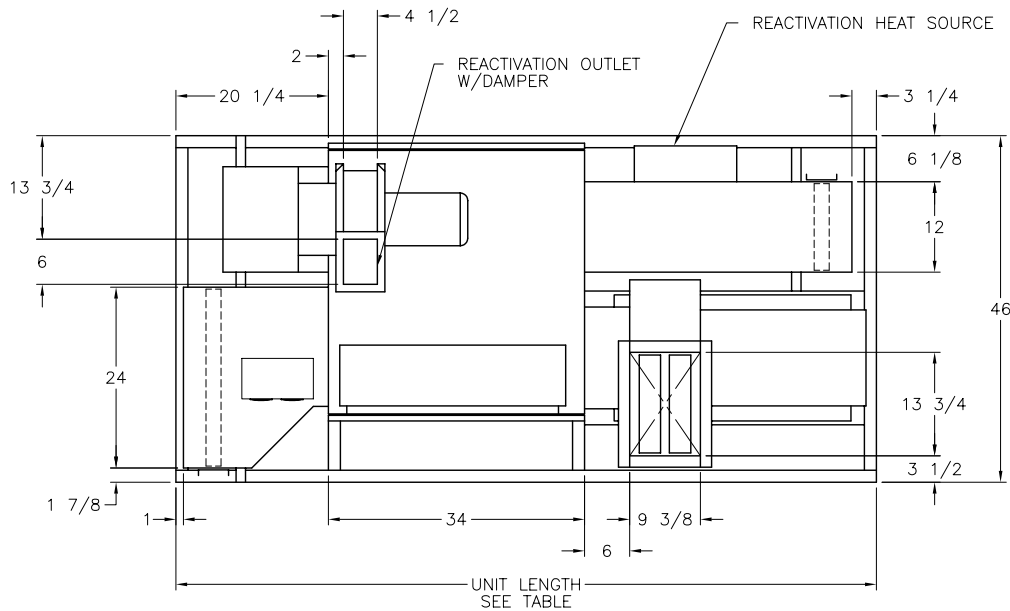


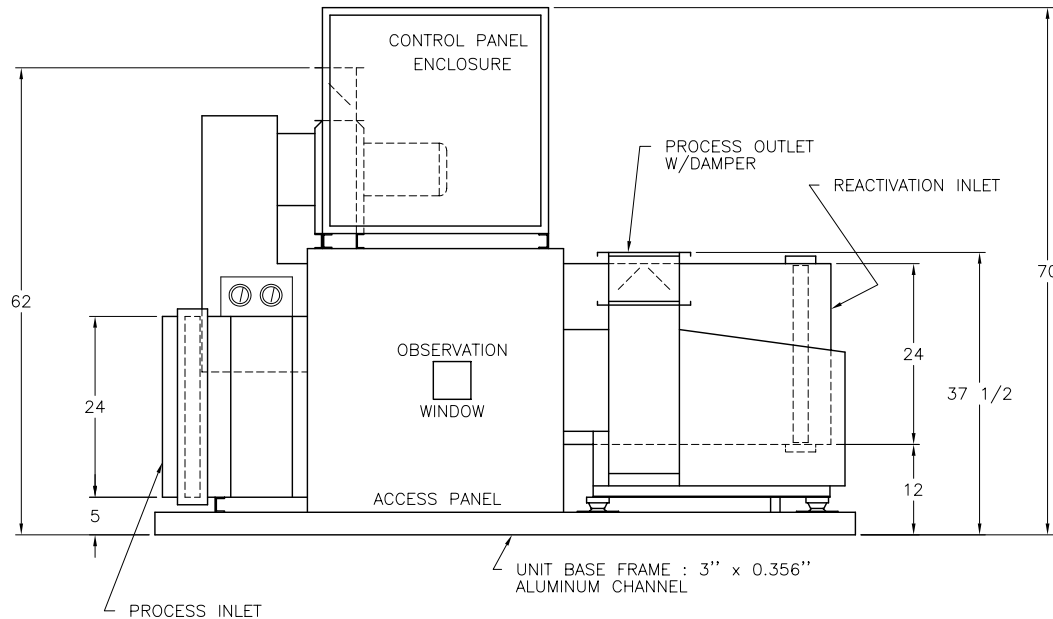


BRY-AIR, INC.
 ROUTE 37 WEST
 SUNBURY, OHIO 43074
 TEL (740) 965-2974
 FAX (740) 965-5470
 E-MAIL: bryair1@bry-air.com

VFB-18 DEHUMIDIFIER



SPECIFICATIONS	VFB-18
Process SCFM	1800
Reactivation SCFM	600
Process Ext. Static (inches w.c.)	1.5
Reactivation Ext. Static (inches w.c.)	0.75
Process motor H.P.	2
Reactivation motor H.P.	1 1/2
Bed motor H.P.	1/40
Reactivation Heat Req'd - MBH	129.6
Control Load - KVA @ 120 V	0.75
Approximate weight - lbs.	875



UNIT LENGTH TABLE

React. Heat Source	Construction			
	Std. Indoor 30% Eff. Inlet Filters	Indoor High Eff. Filters	Outdoor 30% Eff. Inlet Filters	Outdoor High Eff. Filters
Electric	7'-9"	8'-10"	8'-5"	9'-6"
Gas	9'-2"	10'-6"	9'-10"	11'-2"
Steam	9'-2"	10'-6"	9'-10"	11'-2"

NOTES:

1. For outdoor construction the reactivation fan is rotated to a horizontal discharge and a rain hood is added.
2. Supply voltage must be specified.
3. Electrical components are mounted in a drip proof enclosure.
4. Unless otherwise noted, provide 25" clearance around entire unit and 40" in front of the control panel enclosure.
5. All dimensions are in inches and are subject to change without notice.
6. Specifications subject to change without notice.

This is not a certified drawing.
 Dimensions shown are for standard electric indoor construction.
 Contact factory for certified dimensional drawings.

BA-786-2
 11/21/03