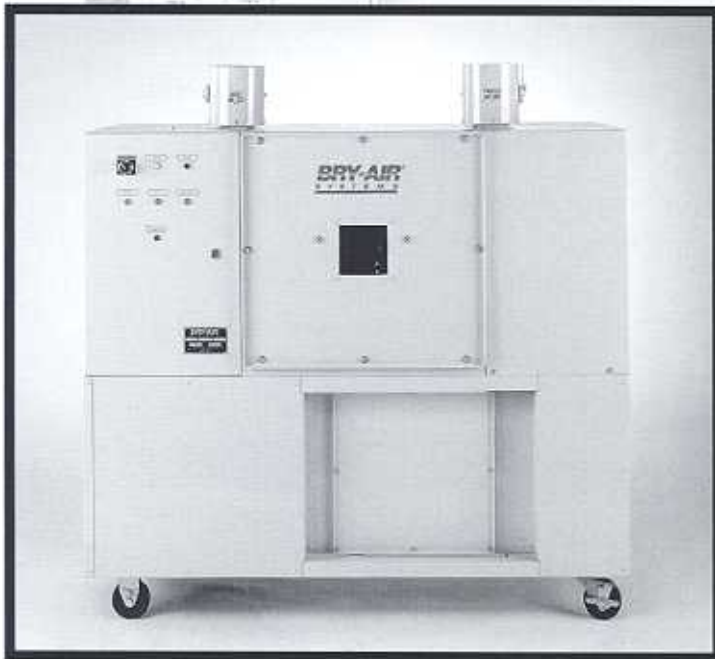


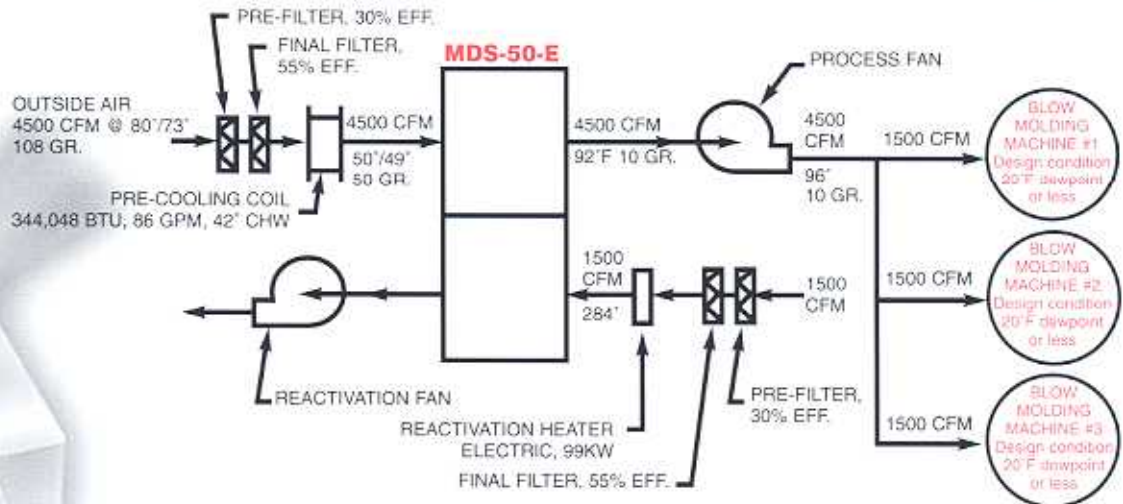
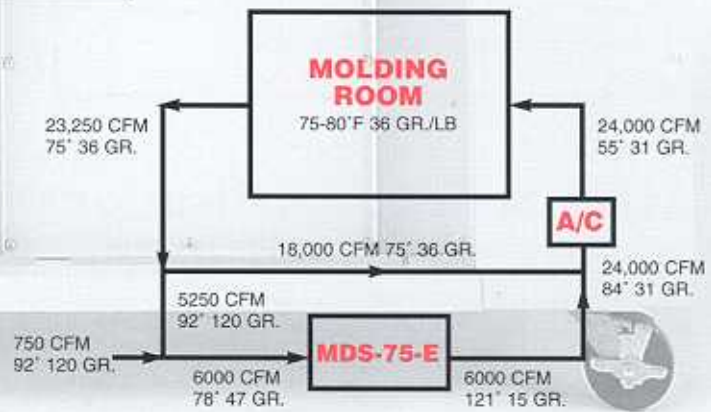
# Bry-Air Systems MDS Mold Dehumidification System.



**By constantly maintaining a lower dewpoint, mold sweating is eliminated resulting in decreased equipment corrosion, cycle time improvement and enhanced part quality by eliminating bubbling and streaking.**

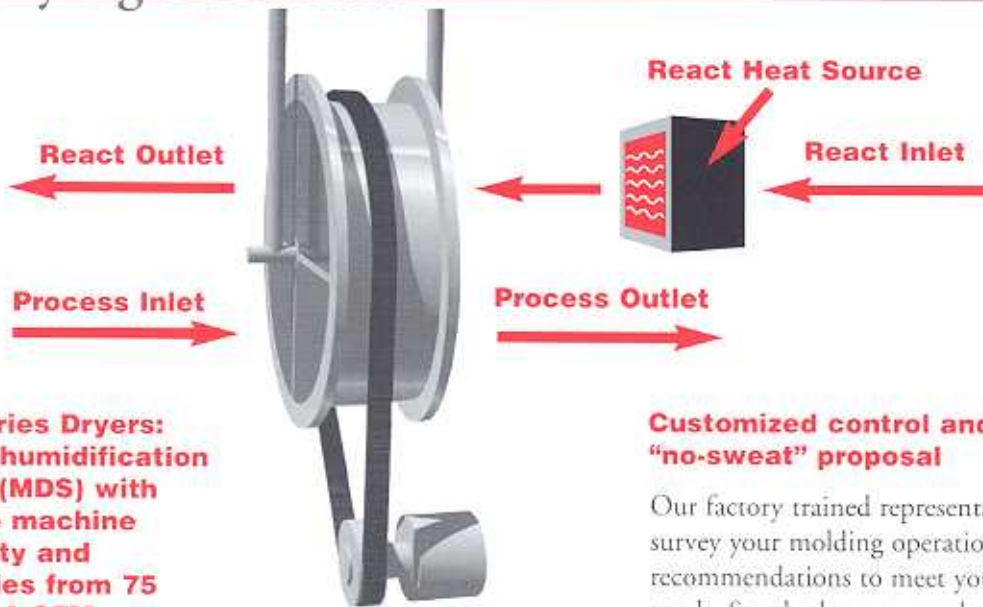
## Plant-wide control

Installing plant-wide desiccant dehumidification from Bry-Air Systems is an economical way to reach your increased production goals during the spring and summer and fall months. For example, for one of our customers we designed a system which maintained his entire production area at a dewpoint below 35°F. This system eliminated the need to shroud each mold thus saving \$27,000 in construction costs alone.



**A spectrum of possibilities**

# Mold Drying Solutions



**MDS Series Dryers: mold dehumidification system (MDS) with multiple machine capability and capacities from 75 to 30,000 CFM.**

## Key Features:

- Gas, steam or electric reactivation
- Portable, central or plant-wide systems available
- Lightweight aluminum construction

## Customized control and our "no-sweat" proposal

Our factory trained representatives can survey your molding operation and make recommendations to meet your specific needs. So whether you need mold dehumidification for just one machine or an entire factory, we invite you to take a closer look at Bry-Air Systems. In return, we'll be glad to take a closer look at your requirements and present you with our "no sweat" proposal—without obligation, of course.

## MDS Series Specifications

Model No.	Nominal Process CFM	Nominal React CFM	Lbs/Hr* Moisture Removal	Reactivation Energy MBH	Length**	Width**	Height**	Weight**
MDS-3	300	100	10.1	21.6	57"	27"	42"	300
MDS-6	600	200	20.2	43.2	71"	31"	52"	480
MDS-9	900	300	30.2	64.8	64"	35"	63"	550
MDS-12	1200	400	40.3	86.4	81"	38"	66"	675
MDS-18	1800	600	60.5	129.6	78"	46"	69"	875
MDS-24	2400	800	80.6	172.8	82"	51"	63"	1025
MDS-36	3600	1200	120.9	259.2	92"	63"	63"	1275
MDS-50	5000	1667	168.0	360.1	122"	60"	60"	1775
MDS-75	7500	2500	252.0	540	130"	72"	60"	2525
MDS-100	10000	3333	336.0	719.9	140"	80"	70"	3225
MDS-150	15000	5000	503.9	1080	156"	94"	80"	4275
MDS-200	20000	6667	671.9	1440	166"	104"	96"	5550
MDS-300	30000	10000	1007.9	2160	190"	126"	116"	7500

Note: Unit weights and dimensions are subject to change without notice.

\*Based on entering conditions of 75°F, 100 gr/#. Moisture removal or reactivation may vary with specific applications.

\*\*Based on indoor unit with 30% filters and electric reactivation heater.

## A spectrum of possibilities

**BRY-AIR SYSTEMS**

For further information, visit the Bry-Air web site: [www.bry-air.com](http://www.bry-air.com)

**BRY-AIR INC.**  
10798 ST. ROUTE 37 WEST  
SUNBURY, OHIO 43074, USA  
PHONE: 740-965-2874  
FAX: 740-965-5470  
E-mail: [bryair1@aol.com](mailto:bryair1@aol.com)  
Toll Free: 877-4-BRYAIR  
(877-427-9247)

**BRY-AIR (ASIA) PVT. LTD.**  
ARCTIC INDIA HOUSE  
20 RAJPUR ROAD  
CIVIL LINES  
DELHI 110-054, INDIA  
PHONE: 011-91-11-391-2800  
FAX: 011-91-11-391-5127  
E-mail: [enquire@pahwa.com](mailto:enquire@pahwa.com)

**TCA SOMAX/DIVISÃO BRY-AIR**  
RUA DO FELIÃO, n°720  
MERCADO SÃO SEBASTIÃO  
RIO DE JANEIRO - RJ  
BRASIL - 21011-050  
PHONE: 011-55-21-584-6540  
FAX: 011-55-21-584-2457  
E-mail: [tca@rio.com.br](mailto:tca@rio.com.br)  
<http://www.tcasomax.com.br>

**BRY-AIR (MALAYSIA) SDN. BHD**  
LOT 11, JALAN P/7  
BANGI INDUSTRIAL ESTATE  
BANDAR BARA BANGI  
43000 KAJANG  
SELANGOR, MALAYSIA  
PHONE: 011-60-3-89256622  
FAX: 011-60-3-89259957  
E-mail: [ssb@bryair.com.my](mailto:ssb@bryair.com.my)